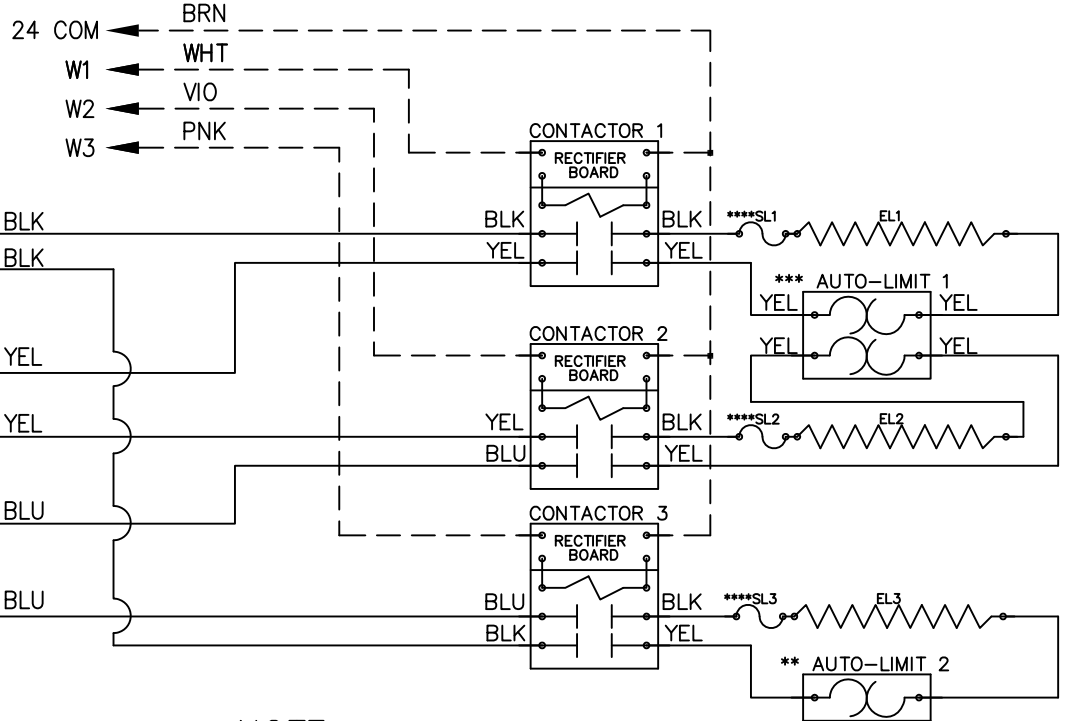
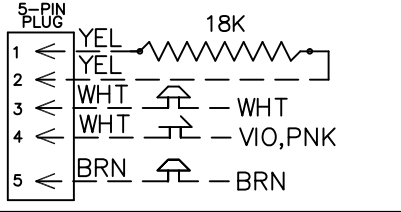


# WGS - 1133 / 1504

USE PLUG ADAPTOR ON: 50CE/50CR/50DT/  
50DU/50XL/50XT/604C/607B/607D/704C/  
707B/704C/707B/707D.

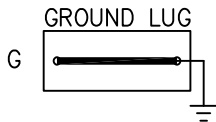


ALL POWER PIGTAILS 10 GA.

C FROM UNIT 11  
L1

C FROM UNIT 13  
\* L2

IFR OR TDR: 2  
FROM UNIT  
L3



Model	WGS-1133/1504
Serial #	_____
Tag -	_____
Kilowatts	11.3/15.0
Volts-Ph-Hz	208/240/3/60
Control Volts	24.0
Steps	3
Heater Amps	31.3/36.1
Heater Fuses	N/A
Control Wiring	-----
Power Wiring	_____
Field Wiring	_____

### NOTE :

\* Power supply wiring per NEC & Local Codes.  
Suitable for at least 75° C  
Use copper conductor wiring only.  
Field wire, NEC Class I

\*\* Replace Auto-Reset with Therm-O-Disc  
type 60TX11-L165  
\*\*\* Replace Auto-Reset with Therm-O-Disc  
type 64TX11-2PL-L165  
\*\*\*\* Replace "Service Loop" with SL075B

CAUTION-RELAYS UTILIZE 22VDC COILS WITH AC TO DC  
RECTIFIERS. DO NOT USE RELAY WITHOUT RECTIFIER  
REPLACE WITH FACTORY AUTHORIZED PARTS ONLY.

-24VAC, Class 2 power source must not exceed 26.4VAC  
under any primary input voltage condition per U.L./NEC.

WGS1504

Rev. by : M. REEVES  
Date : 10/07/14

# WARREN TECHNOLOGY