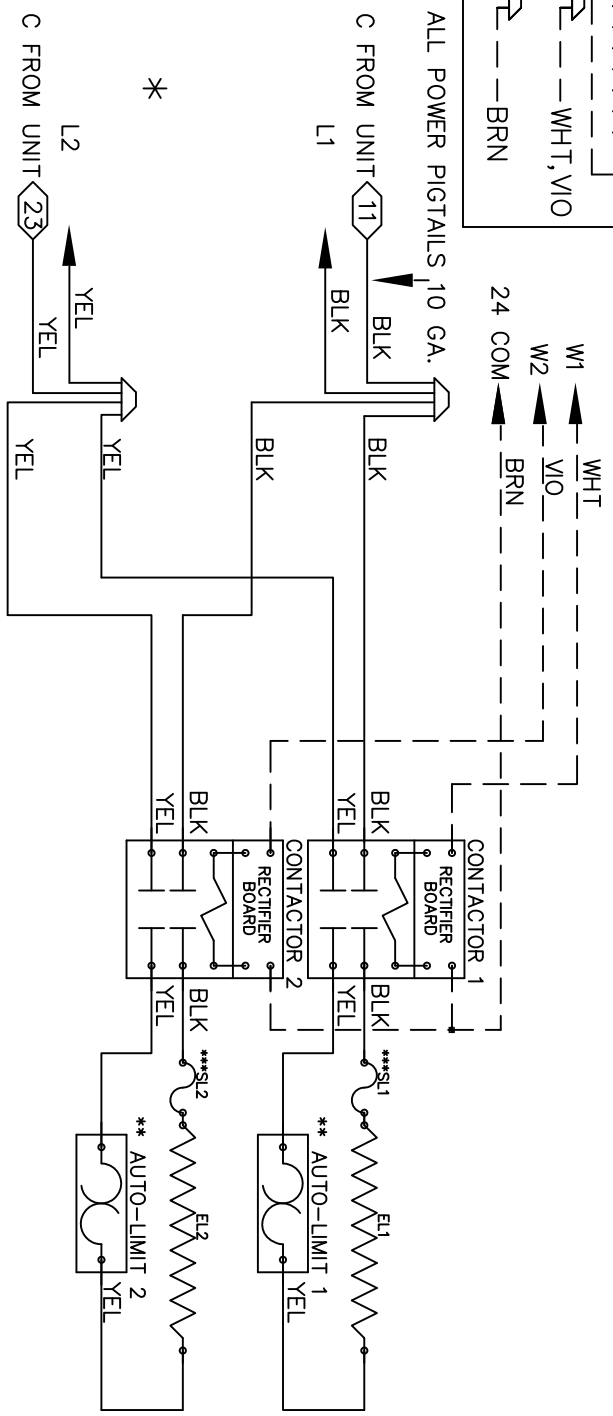
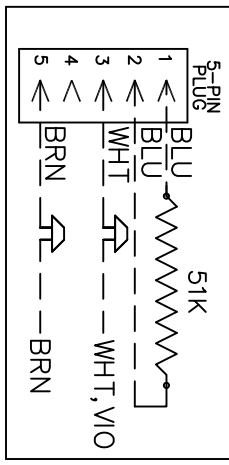


WGS-0751/1002

USE PLUG ADAPTOR ON: 50CE/50CR/50DT/
50DU/50XL/50XT/604C/607B/607D/704C/
707B/704C/707B/707D.



NOTE :

* Power supply wiring per NEC & Local Codes.
Suitable for at least 75° C
Use copper conductor wiring only.

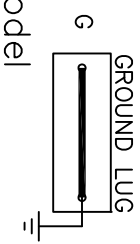
** Replace Auto-Reset with Therm-O-Disc
type 60TX11-L165

*** Replace Service-Loop with SL075B
CAUTION-RELAYS UTILIZE 22VDC COILS WITH AC TO DC
RECTIFIERS. DO NOT USE RELAY WITHOUT RECTIFIER
REPLACE WITH FACTORY AUTHORIZED PARTS ONLY.

-24VAC, Class 2 power source must not exceed 26.4VAC
under any primary input voltage condition per U.L./NEC.

- Control Wiring -----
- Power Wiring -----
- Field Wiring _____

Model _____
Serial # _____
Tag - _____
Kilowatts _____
Volts-Ph-Hz _____
Control Volts _____
Steps _____
Heater Amps _____
Heater Fuses _____



WGS-0751/1002
7.5/10.0
208/240 /1/ 60
24.0
2
36.1/41.7
N/A

WGS1002

Rev. by : M. REEVES
Date : 10/07/14

WARREN TECHNOLOGY