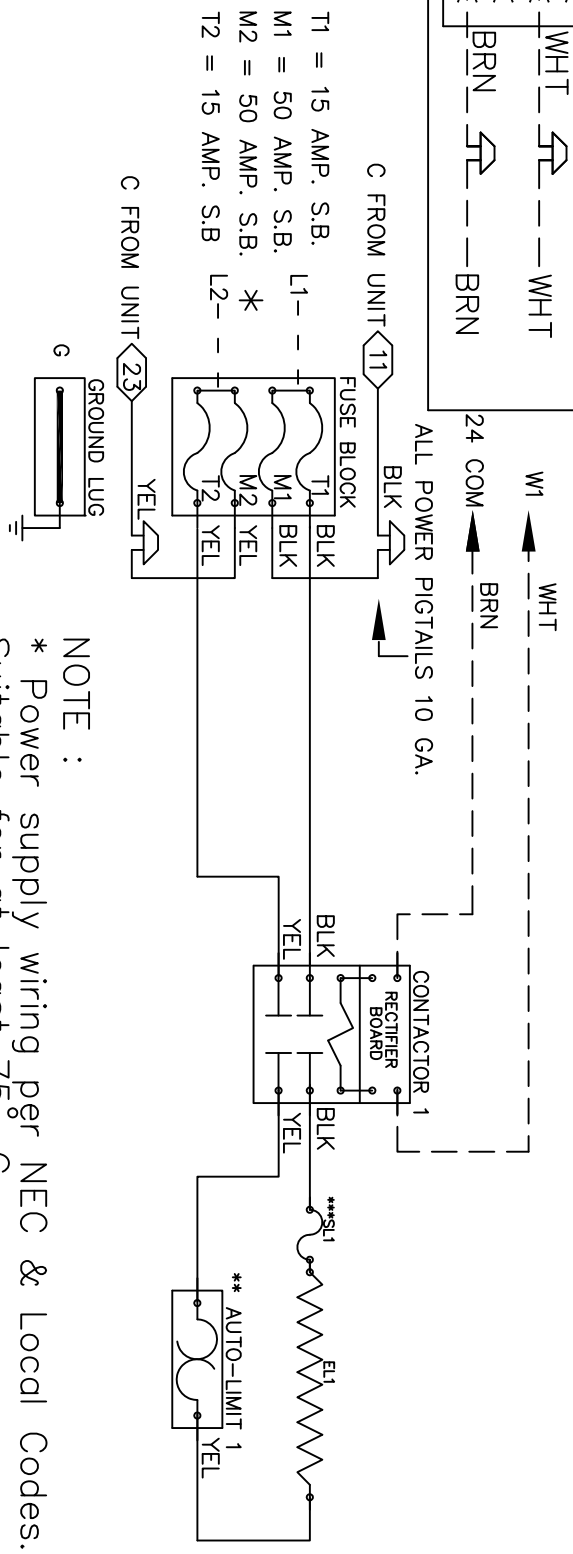
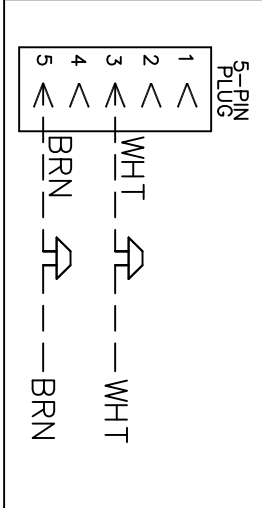


WGS-0201H/0272H

USE PLUG ADAPTOR ON: 50CE/50CR/50DT/
50DU/50XL/50XT/604C/607B/607D/704C/
707B/704C/707B/707D.



NOTE :

- * Power supply wiring per NEC & Local Codes. Suitable for at least 75°C
- Use copper conductor wiring only.
- Field wire, NEC Class I
- ** Replace Auto-Reset with Therm-O-Disc type 60TX11-L165
- *** Replace Service-Loop with SL075B
- CAUTION-RELAYS UTILIZE 22VDC COILS WITH AC TO DC RECTIFIERS. DO NOT USE RELAY WITHOUT RECTIFIER REPLACE WITH FACTORY AUTHORIZED PARTS ONLY.
- 24VAC, Class 2 power source must not exceed 26.4VAC under any primary input voltage condition per U.L./NEC.
- Replace with 250VAC type Slow Blow fuses

Model	_____
Serial #	_____
Tag -	_____
Kilowatts	2.0/2.7
Volts-Ph-Hz	208/240/1/60
Control Volts	24.0
Steps	1
Heater Amps	9.73/11.25
Heater Fuses	See chart above

WGS-0201H/0272H	_____
_____	_____
_____	_____
_____	_____
_____	_____
_____	_____
_____	_____
_____	_____

Control Wiring	-----
Power Wiring	_____
Field Wiring	_____

WGS0272H