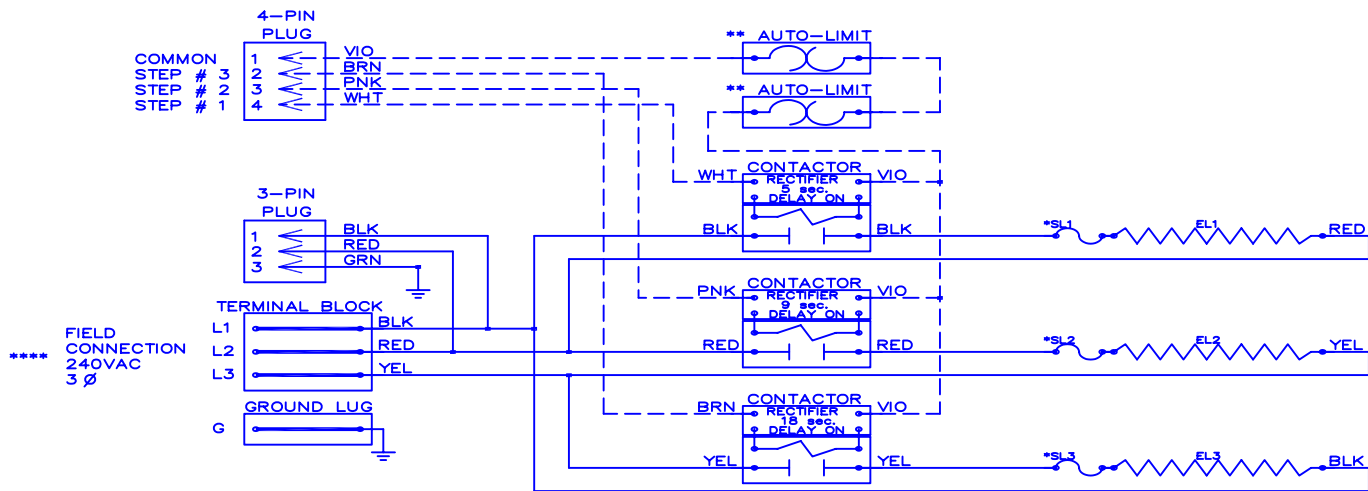


WGM — 1004



NOTE :

- * Replace "Service Loop" with SL 6040-063
- ** Replace Auto-Reset with Therm-O-Disc type 60TX11-L165.
- *** Relays utilize 22VDC coils with AC to DC rectifiers. Do not use relay without rectifier.
- 24VAC, Class 2 power source must not exceed 26.4VAC under any primary input voltage condition per UL/NEC.
- **** Power supply wiring per NEC & Local Codes. Suitable for at least 75°C.
- Use copper conductor wiring only.

Model	<u>WGM-1004</u>
Serial #	_____
Tag -	_____
Kilowatts	<u>9.60</u>
Volts-Ph-Hz	<u>240/3/∧/60</u>
Control Volts	<u>24.0</u>
Steps	<u>3</u>
Heater Amps	<u>23.1</u>

Control Wiring -----
 Power Wiring _____
 Field Wiring _____

WGM1004

Rev. by : M. REEVES
 Date : 08/16/11

WARREN TECHNOLOGY