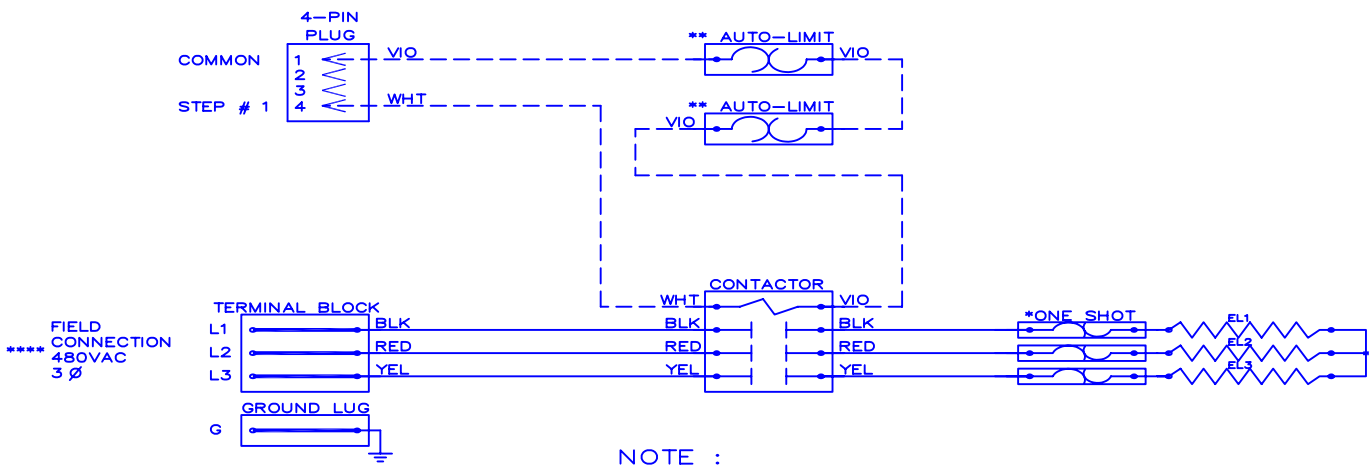


WGM

0805



Model	_____
Serial #	_____
Tag -	_____
Kilowatts	7.68
Volts-Ph-Hz	480/ 3Y /60
Control Volts	24.0
Steps	1
Heater Amps	9.24

NOTE :

- \* Replace "One-Shot" with L300F-60FXX04
- \*\* Replace Auto-Reset with Therm-O-Disc type 60TX11-L165.
- \*\*\* Relays utilize 22VDC coils with AC to DC rectifiers. Do not use relay without rectifier.
- 24VAC, Class 2 power source must not exceed 26.4VAC under any primary input voltage condition per UL/NEC.
- \*\*\*\* Power supply wiring per NEC & Local Codes. Suitable for at least 75°C.

Use copper conductor wiring only.

Control Wiring \_\_\_\_\_  
 Power Wiring \_\_\_\_\_  
 Field Wiring \_\_\_\_\_

WGM0805  
 Rev. by : M. REEVES  
 Date : 02/05/11

WARREN TECHNOLOGY