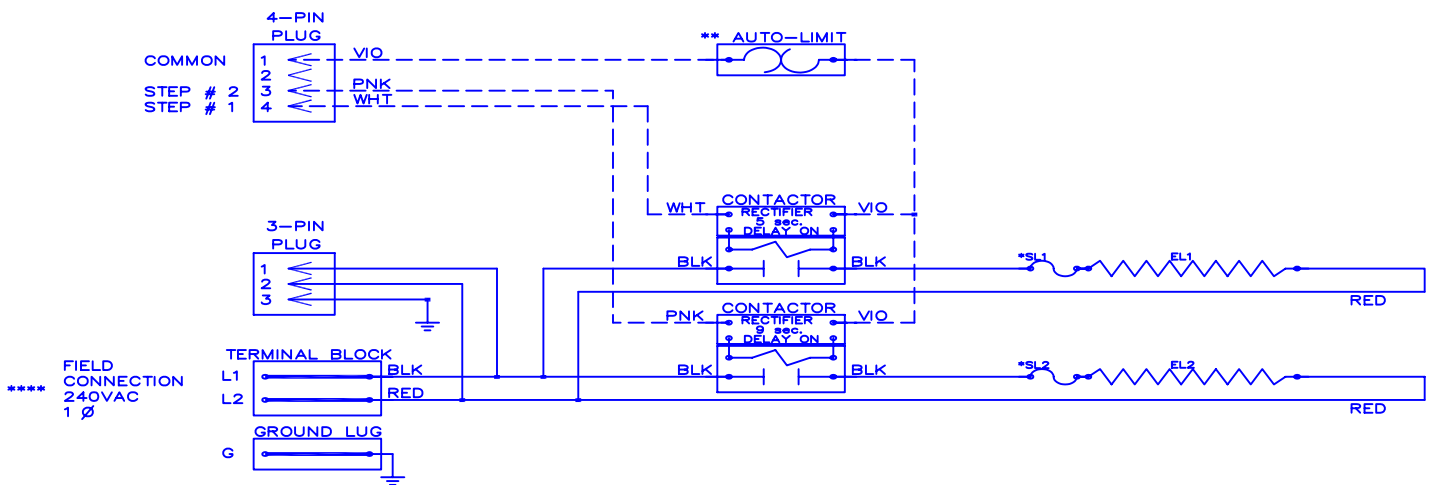


# WGM — 0802



\*\*\*\*  
FIELD CONNECTION  
240VAC  
1 Ø

Model	_____
Serial #	_____
Tag	_____
Kilowatts	7.68
Volts-Ph-Hz	240/1/60
Control Volts	24.0
Steps	2
Heater Amps	32.00

**NOTE :**

- \* Replace "Service Loop" with SL 6040-063
- \*\* Replace Auto-Reset with Therm-O-Disc type 60TX11-L165.
- \*\*\* Relays utilize 22VDC coils with AC to DC rectifiers. Do not use relay without rectifier.
- 24VAC, Class 2 power source must not exceed 26.4VAC under any primary input voltage condition per UL/NEC.
- \*\*\*\* Power supply wiring per NEC & Local Codes. Suitable for at least 75°C.
- Use copper conductor wiring only.

Control Wiring \_\_\_\_\_  
 Power Wiring \_\_\_\_\_  
 Field Wiring \_\_\_\_\_

WGM0802

Rev. by : M. REEVES  
 Date : 01/27/11

## WARREN TECHNOLOGY