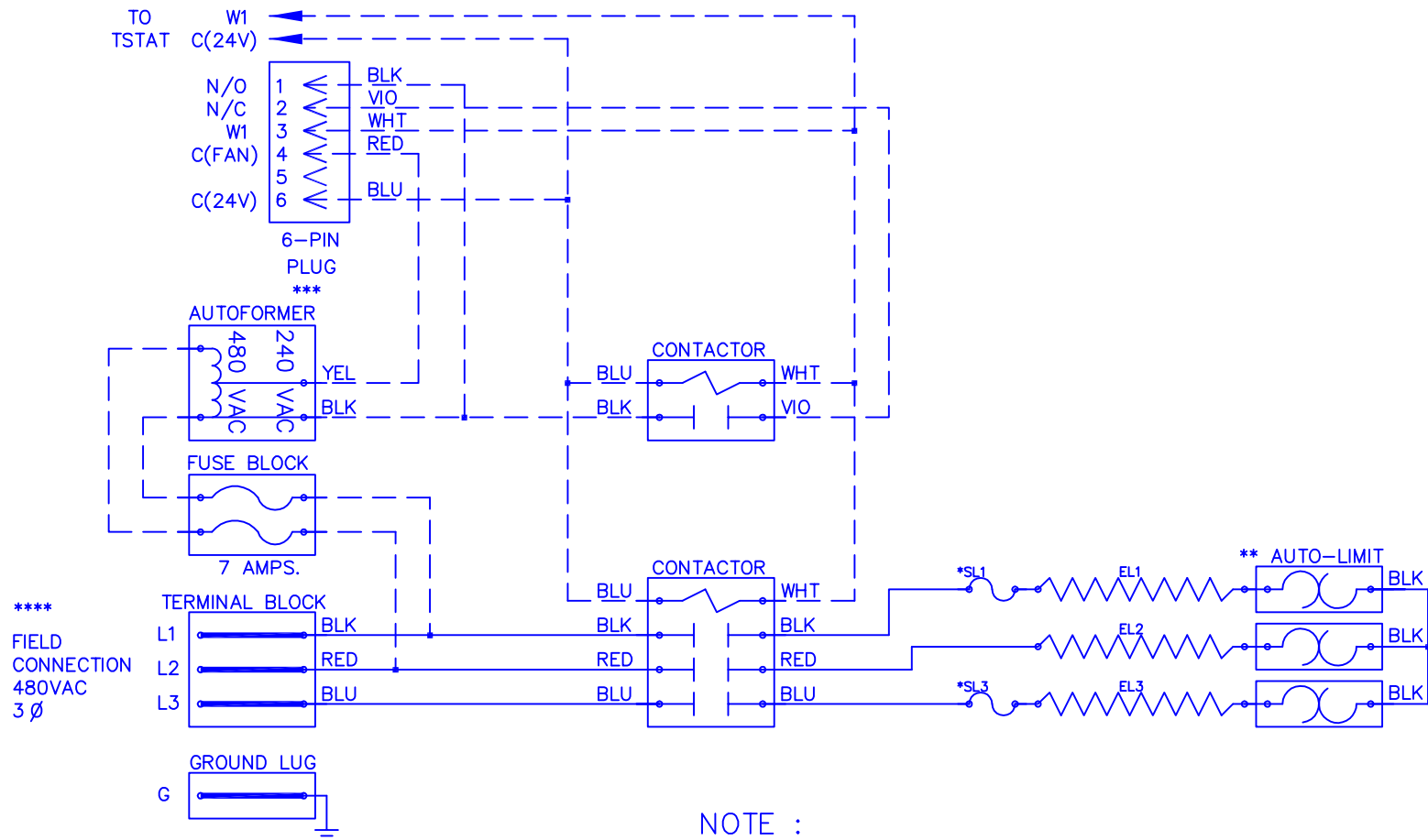


# WEM

# 1505A



\*\*\*\*  
FIELD  
CONNECTION  
480VAC  
3 Ø

Model	WEM-1505A
Serial #	_____
Tag -	_____
Kilowatts	14.4
Volts-Ph-Hz	480/3Y/60
Control Volts	24.0
Steps	1
Heater Amps	17.3

NOTE :

- \* Replace "Service Loop" with SL075A
- \*\* Replace Auto-Reset with Therm-O-Disc type F165X
- \*\*\* 24VAC, Class 2 power source must not exceed 26.4VAC under any primary input voltage condition per UL/NEC.
- \*\*\*\* Power supply wiring per NEC & Local Codes. Suitable for at least 75°C. Use copper conductor wiring only.

Control Wiring    - - - - -  
 Power Wiring    \_\_\_\_\_  
 Field Wiring                         

WEM1505A

Rev. by : M. REEVES  
 Date : 02/27/15

# WARREN TECHNOLOGY